

KP-400

HD/SD Key Processor System



The KP-400 Key Processor System is a dual HD/SD digital keyer which can be placed in any output slot of a UTAH-400 Router. The KP-400 can be used a standalone keyer, to extend the keying facilities of an MC-400 channel, or as part of a multi-channel master control system under the control of an MC-2020 master control network.

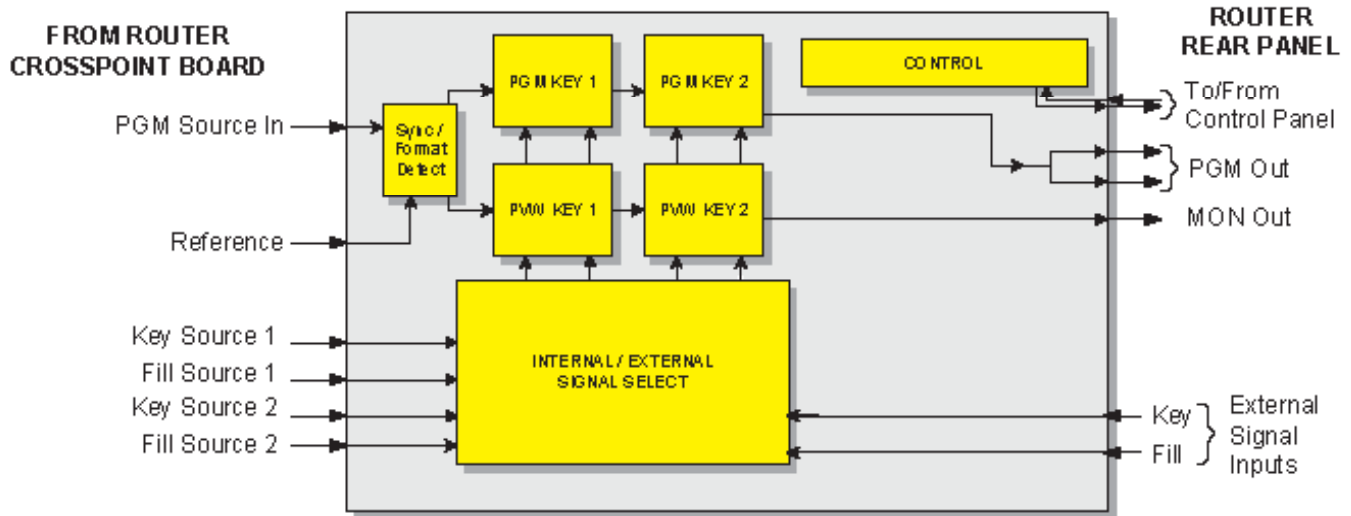
The KP-400 takes full advantage of the unique I/O flexibility of the UTAH-400 digital routing switcher by placing the signal processing electronics on a single board that can be installed in an output slot of any UTAH-400 router frame. By using this approach, the processor is given full access to every signal available within the router, eliminating the need for external connections between the router and the keyer.

To accommodate signals such as key signals that may not be present in the router, external inputs are provided for all major signals. With this flexibility, system design can be greatly simplified.

KP-400 FEATURES

- PROCESSOR BOARD FITS INTO A UTAH-400 ROUTER OUTPUT SLOT
- DUAL KEYERS, SWITCHABLE BETWEEN INTERNAL, EXTERNAL, AND LOGO SOURCES
- COMPREHENSIVE 1 RU CONTROL PANEL -- COMPATIBLE WITH MC-2020 CONTROL NETWORK

KP-400 Product Information Sheet



The processor offers two fully independent keyers, each of which can be fed by internal or external signals or by an internal logo store. Each of the keyers has a full preview facility with a separate Preview output for making adjustments before committing the key to the program output. Logos can be downloaded directly to the MC-400 or via the MC-2020 control network.

The 1RU control panel for the KP-400 features a full set of operational controls for all keyer functions. In addition, the panel serves as the interface point for external signals such as automation interface and tally and GPI lines.



4750 Wiley Post Way Suite 150
Phone: (801) 575-8801
EMail: sales@utsci.com

Salt Lake City, Utah 84116
Fax: (801) 537-3099
www.utahscientific.com

REV. 0308