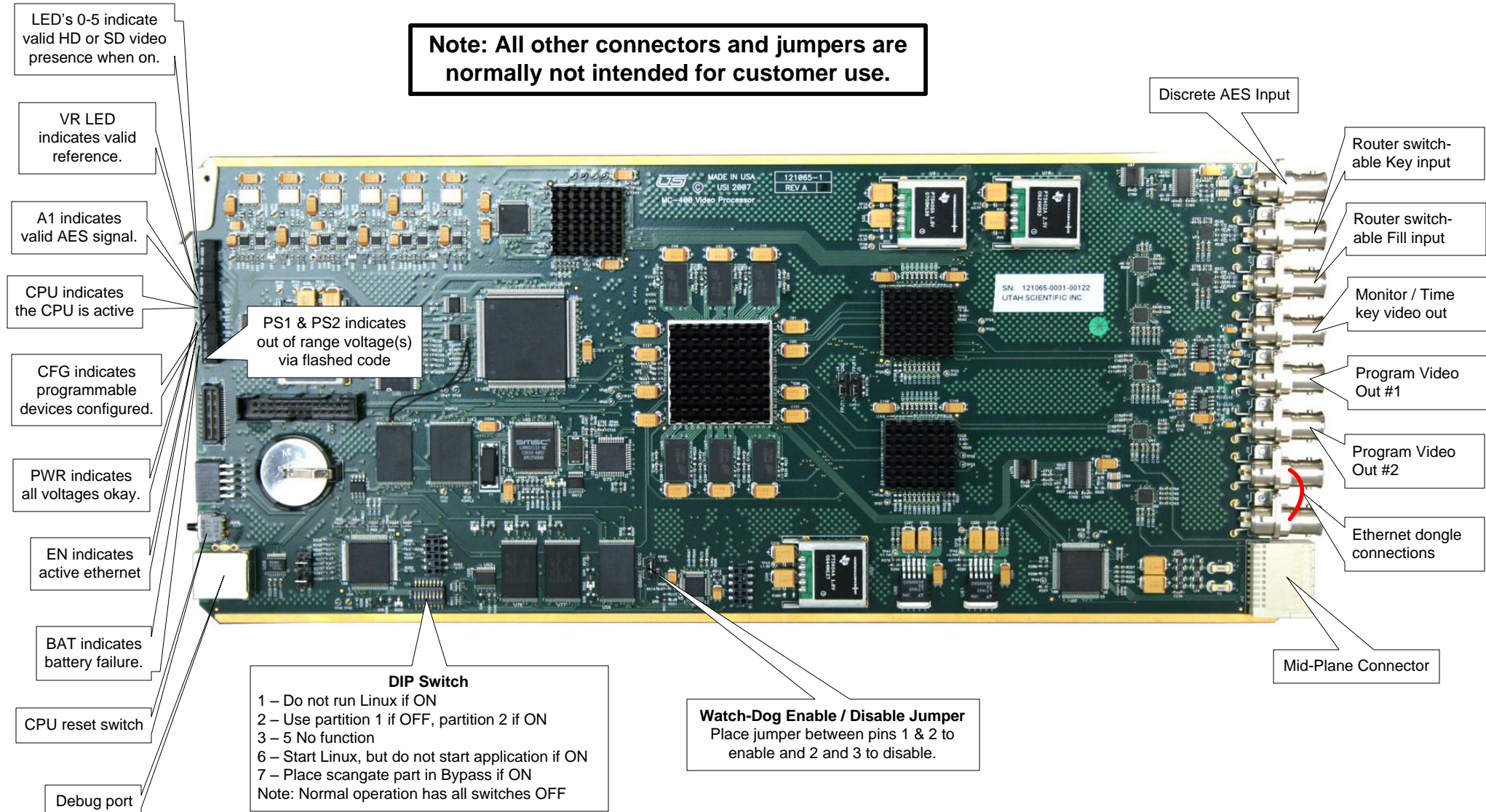


MC-40I/E

Wednesday, June 22, 2011

Note: All other connectors and jumpers are normally not intended for customer use.



MC-40I/E Connections

Wednesday, June 22, 2011

