



MV-Link

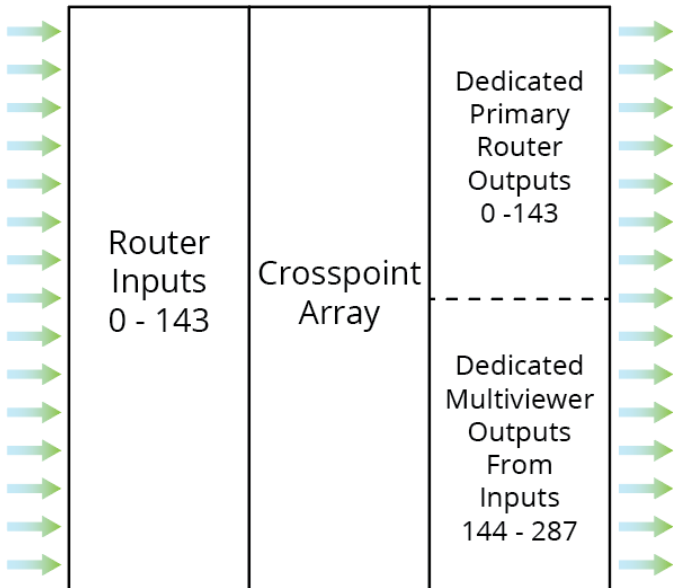
Series 2 Chassis Integrated Multiviewer Solution

You asked for a router and multiviewer solution, and we're delivering! How would you like a Utah Scientific router coupled to your choice of multiviewer, without using primary router outputs? Feed any router inputs to your choice of multiviewer.

Features



- MV-Link can provide 3G/HD/SD-SDI signals assigned to your choice of multiviewer
- Does not require use of your primary router outputs
- Compatible with 144, 288 and 528 sized routers
- Signals can be fed to a multiviewer as far as 50 meters away from the router
- Includes Utah Scientific 10-year hardware warranty
- No annual maintenance fees



UTAH 400 144 Series 2

Specifications

- MV-Link outputs are 3G/HD/SD-SDI signals
- MV-Link feeds from router inputs are assigned and dedicated to multiviewer use
- Does not require use of router primary video outputs
- Uses HD-BNC
- Multiviewer agnostic

Includes a 10-year hardware warranty!