

MC-402 Master Control Switching & Branding System

Add FCC compliant master control switching and branding to your current or future Series 2 router chassis

Are you replacing your existing Utah Scientific Series 1 router chassis? Want to maintain or add our elegant Master Control capability to your new chassis? We have just what you need! The MC-402 brings master control integration to your current or future Series 2 chassis. Why struggle with multiple outboard downstream devices when you can experience the ease of plug and play from Utah Scientific?

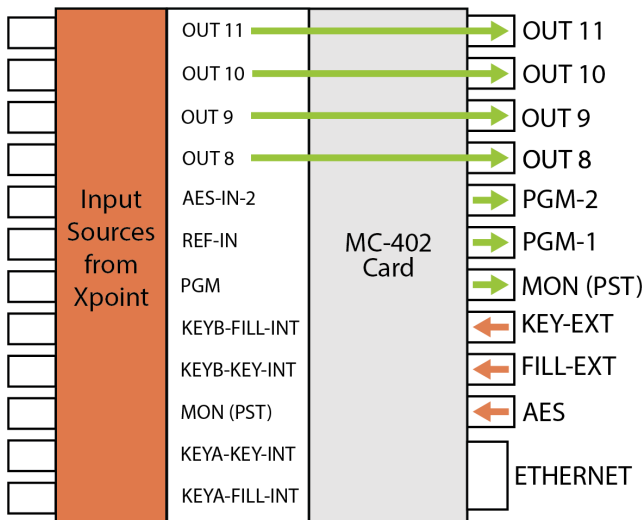


Features

- ▣ Fully compatible with current or future Series 2 router chassis
- ▣ Plugs directly into a single output slot of the router
- ▣ Interfaces with industry standard automation control systems
- ▣ Integrated EAS functionality with use of external alert system
- ▣ Internal logo functionality capable of selecting from 16 stored logos
- ▣ Includes Utah Scientific 10-year hardware warranty
- ▣ No annual maintenance fees

Specifications

- ▣ Multiple transition types
- ▣ Use of all inputs feeding the router
- ▣ 2 viewable keyers per channel
- ▣ 3 audio over inputs
- ▣ Provides FCC EAS compliance with industry standard external alert systems



Includes a 10-year hardware warranty!