

BPS-2020 Connection Guide

Note: each audio input "D" connector provides connections for 8 AES inputs that are associated with the 8 video by-pass switcher inputs. Up to four AES streams can be configured for each by-pass input by installing the optional 8X1 AES crosspoint cards. All 4 input "D" connectors use an identical pin out configuration as described in the input pin out balloon.

AES Audio Input Pin Out:
 In 1: Pin 1=+, Pin 11=-; In 2: Pin 2=+, Pin 12=-;
 In 3: Pin 3=+, Pin 13=-; In 4: Pin 4=+, Pin 14=-;
 In 5: Pin 5=+, Pin 15=-; In 6: Pin 6=+, Pin 16=-;
 In 7: Pin 7=+, Pin 17=-; In 8: Pin 8=+, Pin 18=-;
 Pins 9, 10 & 19-26=gnd
 See note above

Note: each audio output "D" connector provides connections for 2 optional AES streams associated with the 8)BPS-2020 video output.

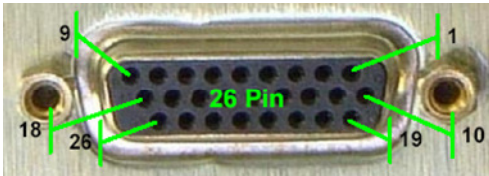
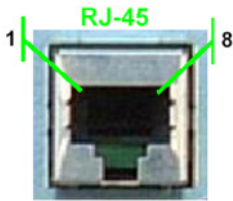
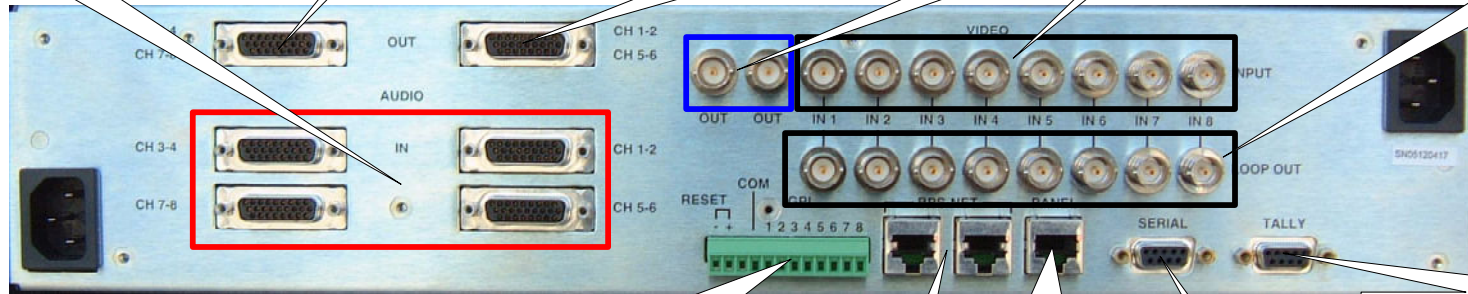
Output Pin Out:
 AES 2: 1=+, 2=- (CH 3-4)
 AES 4: 11=+, 12=- (CH 7-8)
 Pins 3-9, 10, 13-18 & 19-26=gnd

Output Pin Out:
 AES 1: 1=+, 2=- (CH 1-2)
 AES 3: 11=+, 12=- (CH 5-6)
 Pins 3-9, 10, 13-18 & 19-26=gnd

2 video Program output BNC's. The BNC labeled **OUT** is inverted.

8 source BNC connections. Typically the master control program output connects to the source 1 BNC, with the other source BNC's being connected to sources that are used while the master control is being bypassed. BPS-2020 supports SMPTE259 and 292 digital video sources.

Optional video DA board provides 8 active loop through video sources for use with downstream devices.



Reset video/control card by applying +5V



A closure between COM and connectors 7 and 8 will switch the bypass to the corresponding input.

Note: both the BPS-8 and BPS-16 can be connected at the same time. Providing local & remote control

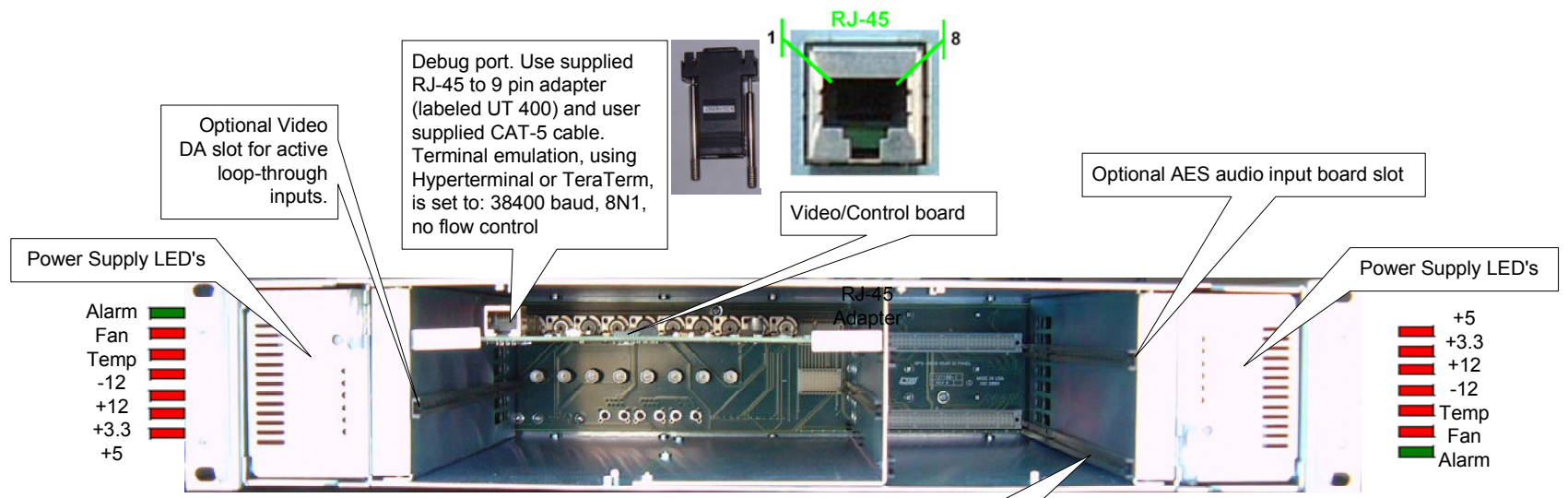
BPS-NET provides control of up to 8)BPS-2020's with 1)BPS-16 master panel via CAT5 cable.

BPS-8 control panel connected via a CAT5 cable.

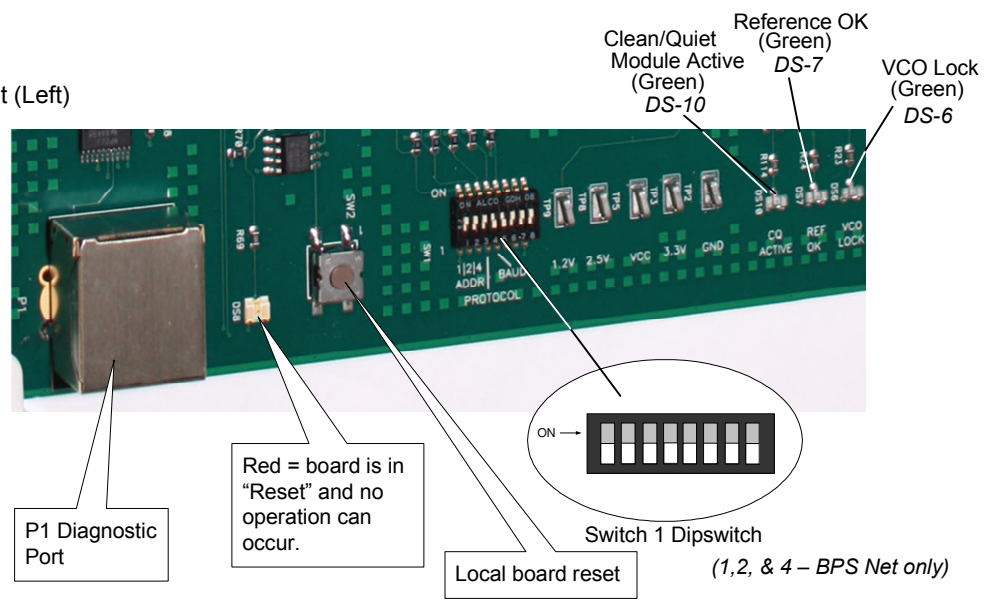
Active Source Tally: Selected source drives the corresponding pin to >+3V.
 Pin #'s
 Source 1=1, 2=2, 3=3, 4=4, 5=5, 6=6, 7=7, 8=8, Pin 9=gnd

RS-232 or RS-422 serial port, 19.2K or 38.4K baud. Protocol is either USI RCP-1 or GVG 10XL.
RS-232 pin #'s: 2=TX, 3=RX, 5=gnd.
RS-422 pin #'s: 2=TX-, 3=RX+, 5=gnd, 7=TX+ & 8=RX-. Jumper J12 & J13 select RS-232 or RS-422. For RS-232 set both jumpers between pins 1&2; for RS-422 set both jumpers between pins 3&4.

BPS-2020 Front View



Crosspoint (Left)



2nd slot for optional audio input board

