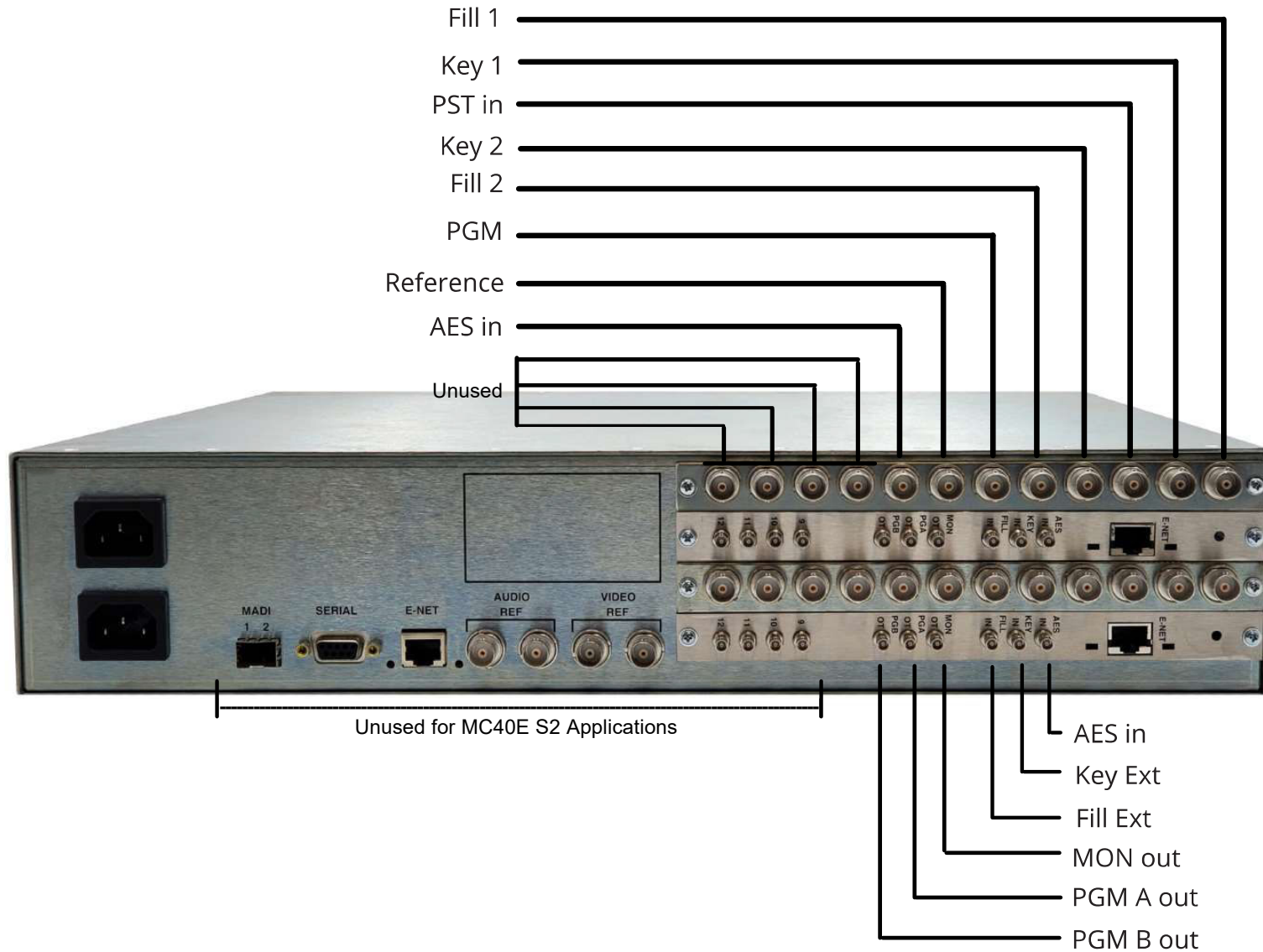


MC - 40E S2



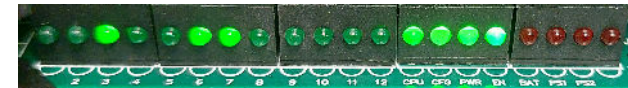
Example Dual Channel MC-40E S2
(Single channel optional)

Connectors identical in
both channels

MC - 40E S2

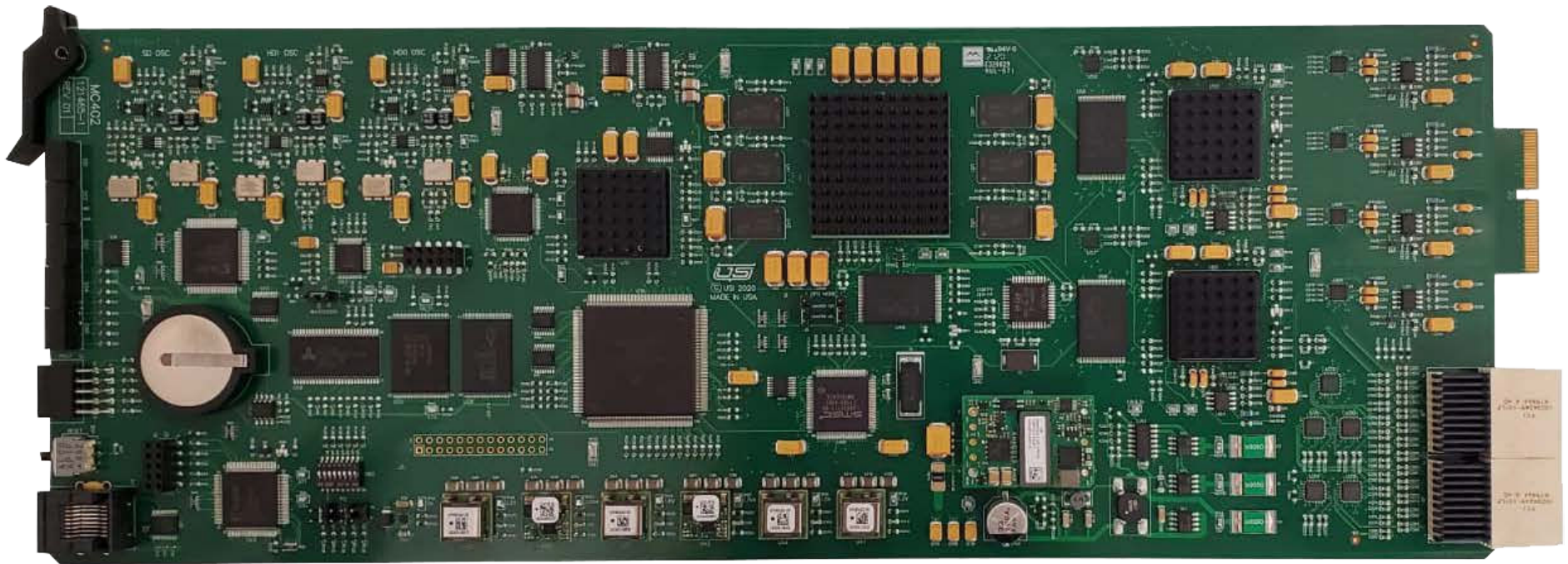
LED label	Input Signal
1	Fill 1
2	Key 1
3	PST
4	Key 2
5	Fill 2
6	PGM
7	Reference
8	AES
9-12	(unused on MC-40E S2)

LED Label	LED Function
CPU	Indicates the CPU is active
CFG	Indicates programmable devices configured
PWR	Indicates all voltages within tolerance
EN	Indicates active ethernet



The last four LED's are red to indicate errors.

LED Label	LED Function
BAT	Battery failure
PS1	Out of range voltages (via flashed code)
PS2	Out of range voltages (via flashed code)
Unused	



Note: All other connectors and jumpers are normally not intended for customer use.