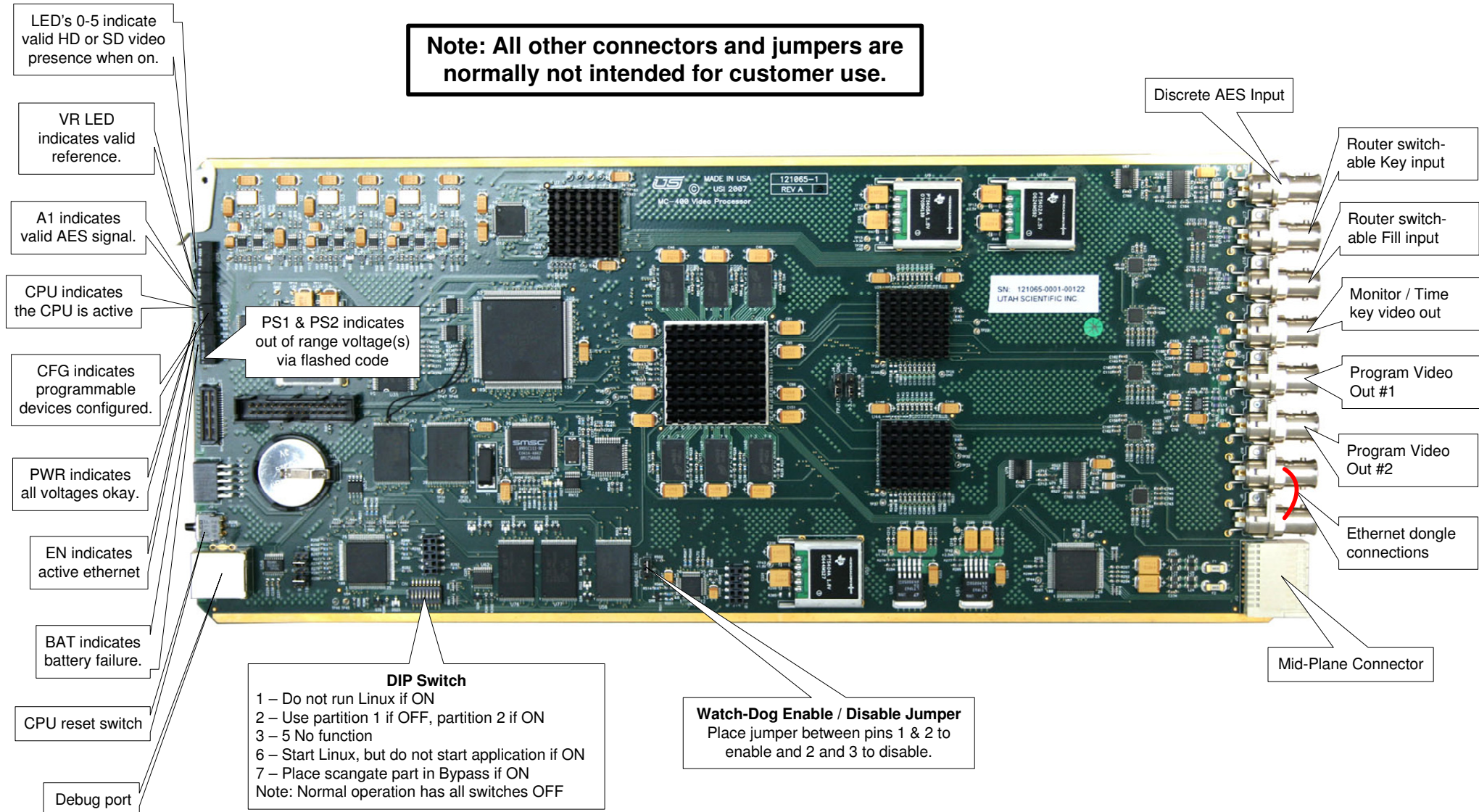


**Note: All other connectors and jumpers are normally not intended for customer use.**



# MC-40I/E Connections

