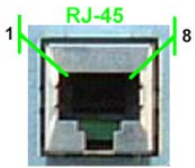


MX-Lator/SC-400 Rear View



E-Net port connects SC-400 to local network via typical CAT-5 cable. Note: There is a separate E-Net connector for the MX-Lator on the right-hand side of the frame.

U-Net connector is attached to U-Net based control panels via a typical CAT-5 cable and terminated with the supplied U-Net terminators. Maximum cable length of 1000 feet.



U-Net Terminator supplied with SC-400 based control panels via a typical CAT-5 cable and terminated with the supplied U-Net terminators. U-Net port MUST be terminated either at the control panel or on the SC-400 rear panel.

SC-400 Sync: Use analog black burst or analog Tri-level sync.

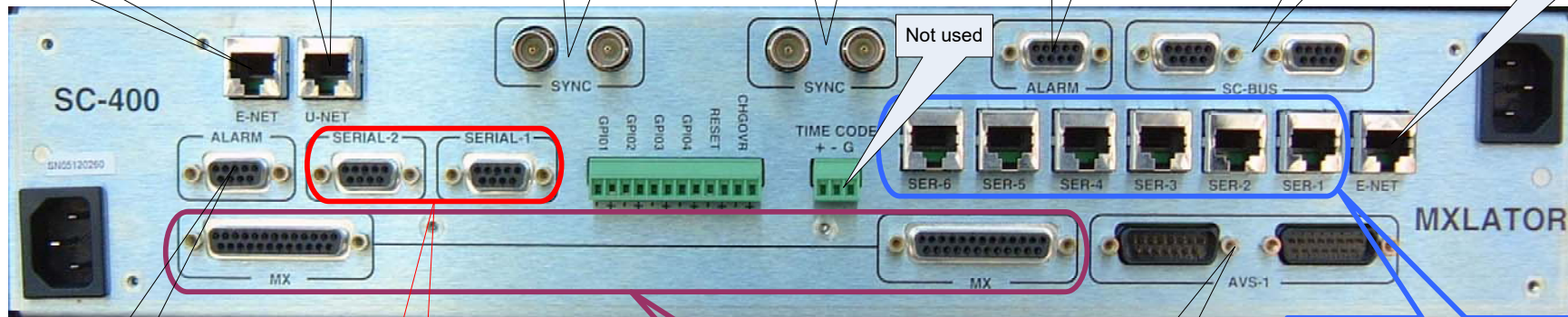
Not used

Alarm Pin Outs:
1 - ALM0, 2 - ALM1, 3 - ALM2,
4 - ALM3, 5 - SMPTE0,
9 - SMPTE, 6,7,8 - GND



SC-Bus for control of Utah AVS-2 series routers using Utah supplied CC-2 cables. Both SC Bus connections must be terminated at all times.

MX-Lator Ethernet interface. In most instances this port must be connected to the SC-4 or SC-400 Ethernet network. Note: There is a separate E-Net connector for the SC-400 on the left-hand side of the frame.



Alarm Pin Outs:

- 1 - ALM0
- 2 - ALM1
- 3 - ALM2
- 4 - ALM3
- 5 - SMPTE0
- 9 - SMPTE1
- 6,7,8 - GND

Serial Port Pin Outs:

RS-232	RS-422
1 - NA	1 - N/A
2 - TXD	2 - TX-
3 - RXD	3 - RX+
4 - NA	4 - N/A
5 - GND	5 - GND
6 - NA	6 - N/A
7 - NA	7 - TX+
8 - NA	8 - RX-
9 - NA	9 - N/A

MX-Bus connects to MX bus connections on router frames. Both ports must be terminated, either on the SC-400/MX-Lator or router chassis. Total maximum length of 300 feet.



MX-Bus Terminator

MX-Bus Cable

Data Bus for control of Utah AVS-1 & AVS-1B series routers using Utah supplied DC-1 cables. No termination is required.

6) Third Party Router Control Serial Ports

RS-232 Pin Out:
1-TX, 2-DTR, 3-RX, 4-DSR, 5-RTS, 6-GND, 7-CTS, 8-GND

RS-422 Pin Out:
1-TX-, 2-GND, 3-RX+, 4-GND, 5-TX+, 6-GND, 7-RX-, 8-GND

Note: the proper router protocol must be installed in the MX-Lator for the serial port to control a third party router.

SC-400/AC-SYSR 140090-16
MX-Lator/SCSYSR 140090-14
MX-Lator/SYSR 140090-12

MX-Lator/SC-400 Front View

