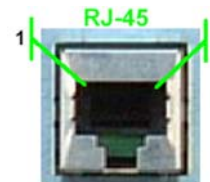


SC-4 Connection Guide



8)U-Net Terminators supplied with SC-4 system. All 8 U-Net ports MUST be terminated either at the control panel or on the SC-4 rear panel.

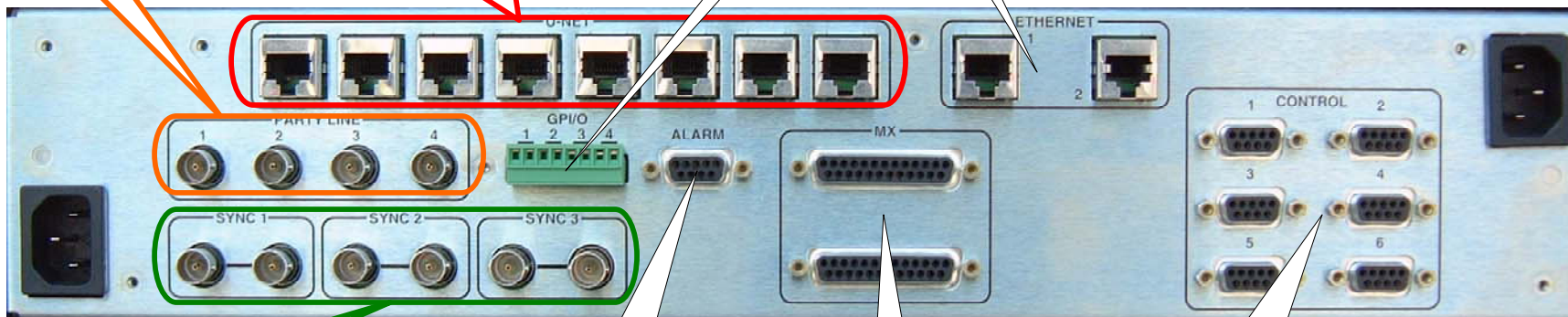
SC-4 is connected via CAT-5 cable to the control system network, Hub or ethernet panels. Use port 1. See System Installation Guide, section 1 for instruction on setting the IP address.



4)Partyline connectors connect to Partline control panels via typical coaxial connection. No termination required.

8)U-Net connectors are attached to U-Net based control panels via a typical CAT-5 cable and terminated with the supplied U-Net terminators. Maximum cable length of 1000 feet per port.

Not used



A maximum of 3 sync sources may be connected to the loop thru Sync Connectors. Sync source must be analog black burst or analog tri-level sync. DO NOT connect SDI reference signals.

Alarm connectors

- Alarm Pin Out
- 1 - ALM0
 - 2 - ALM1
 - 3 - ALM2
 - 4 - ALM3
 - 5 - SMPTE0
 - 9 - SMPTE1
 - 6,7,8 - GND

MX-Bus connects to MX bus connections on router frames. Both ports must be terminated, either on the SC-4 or router chassis. Total maximum length of 300 feet.



MX-Bus Terminator



MX-Bus Cable

Serial ports are used for RS-232 or RS-422 interface. Format is jumper selectable.

Serial Port Pin Outs

RS-232	RS-422
1 - NA	1 - N/A
2 - TXD	2 - TX-
3 - RXD	3 - RX+
4 - NA	4 - N/A
5 - GND	5 - GND
6 - NA	6 - N/A
7 - NA	7 - TX+
8 - NA	8 - RX-
9 - NA	9 - N/A

Select RS-422 or 232
Remove SC-4 from frame. Locate serial port jumper blocks on left-rear area of SC-4. Move jumper, for each port, to desired selection.

SC-4 Front View Guide

