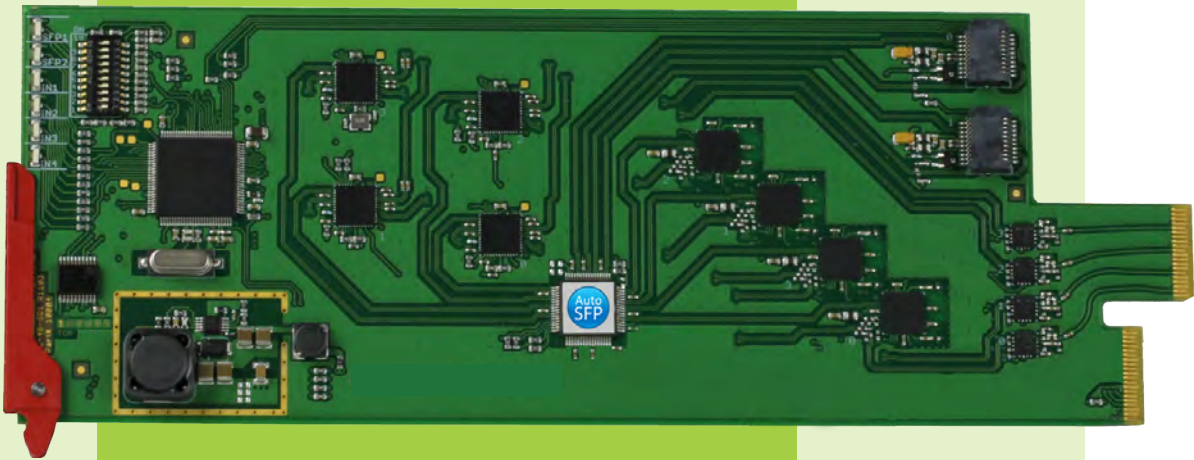


OC-4B-SDI

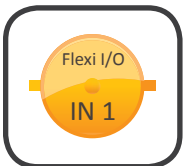
Optical/Electrical Distribution Card for the XFD System



Format flexible
Application flexible
Low cost of ownership

US *Utah Scientific*

The OC-4B-SDI is a next generation optical based distribution card that can perform many functions on a single card. This card gives the user many different options, automatically accessed simply by plugging in an SFP and flicking a DIP switch. It's so easy!



Flexi I/OTM brings flexibility to the user. This BNC can act as either a input or output depending on the determined configuration, providing better use of BNC resources and lending the OC-4B-SDI its chameleon-like features.



SFP-based designs give the product user interchangeable modules. These can be swapped on the fly to give combinations of RX/RX, RX/TX, TX/TX, or single channel functionality. You can further upgrade to CWDM technology to give greater fiber density. Once you change to a different SFP, the card will auto-configure the Flex I/O to its pre-determined configuration.



3G-SDI has been chosen as the standard format because of its backwards compatibility with all SDI formats. In today's economy, it's better to be prepared for the future while keeping your infrastructure ready for the future.



Gigabit Ethernet is enabled on the OC-4B-SDI. The same card that distributes SDI, ASI and many other non-standard formats can now move Ethernet over fiber as well. This is truly a format-flexible, application-flexible platform.



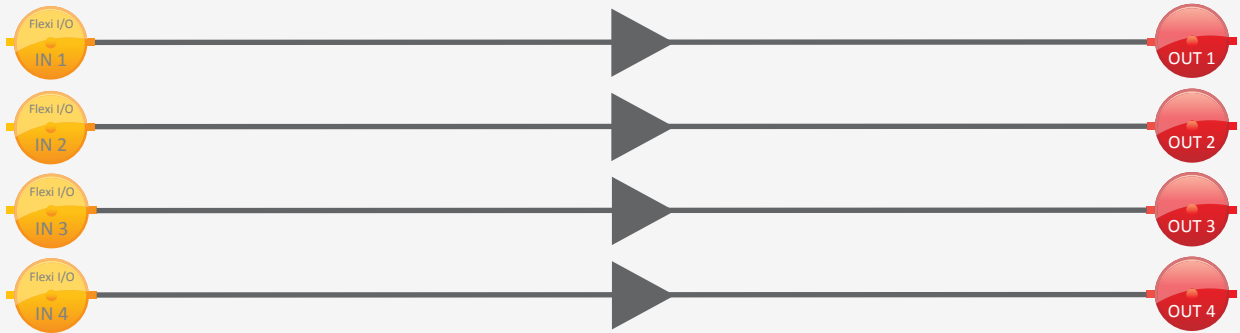
Format Flexible - The OC-4B-SDI can interface many different varieties of SFPs, making it the most flexible one-card solution on the market today. Analog Video encoding to fiber, Analog Video decoding from Fiber, HDMI output for monitoring on PC monitors, plus MADI and DVB-ASI.



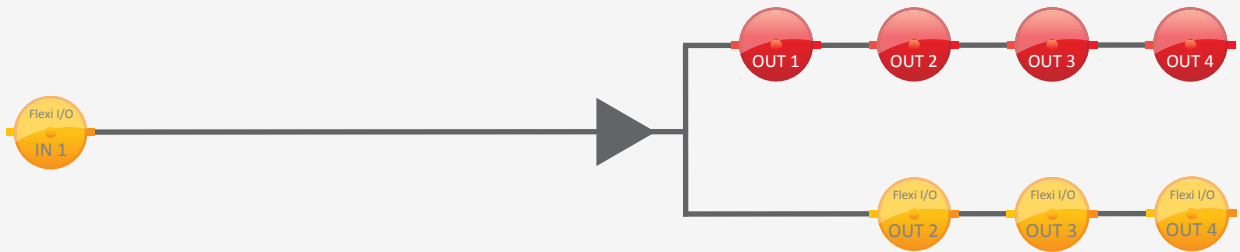
Priced aggressively - This card provides the best return on investment thanks to its versatility and flexibility of use in multiple scenarios, as well as its potential to upgrade to CWDM as your business grows.

DA/Refresh

3G-SDI coax refresh >100 Meter x 4

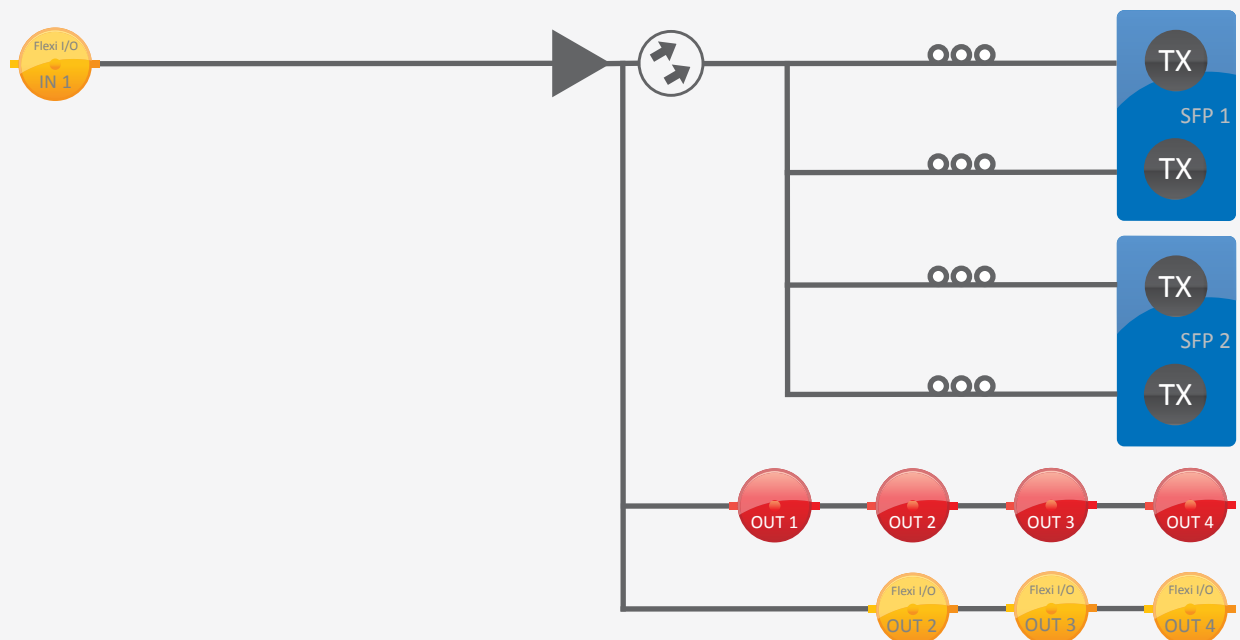


Distribution amplifier 1 to 7



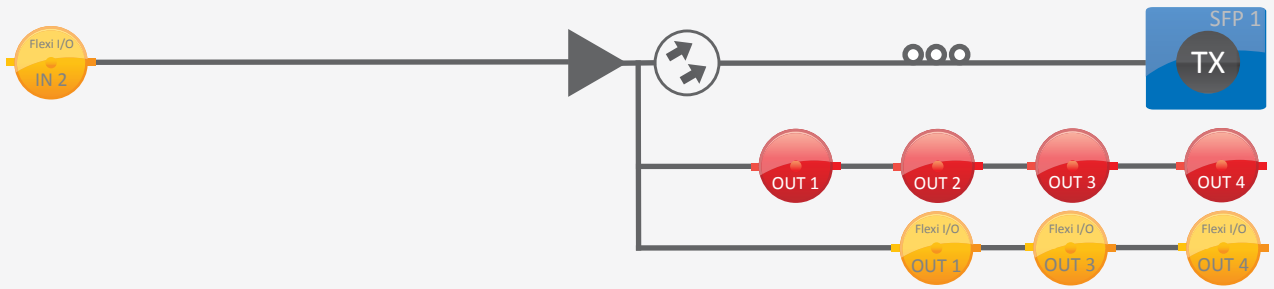
Optical distribution

Optical distribution including distribution amplifier

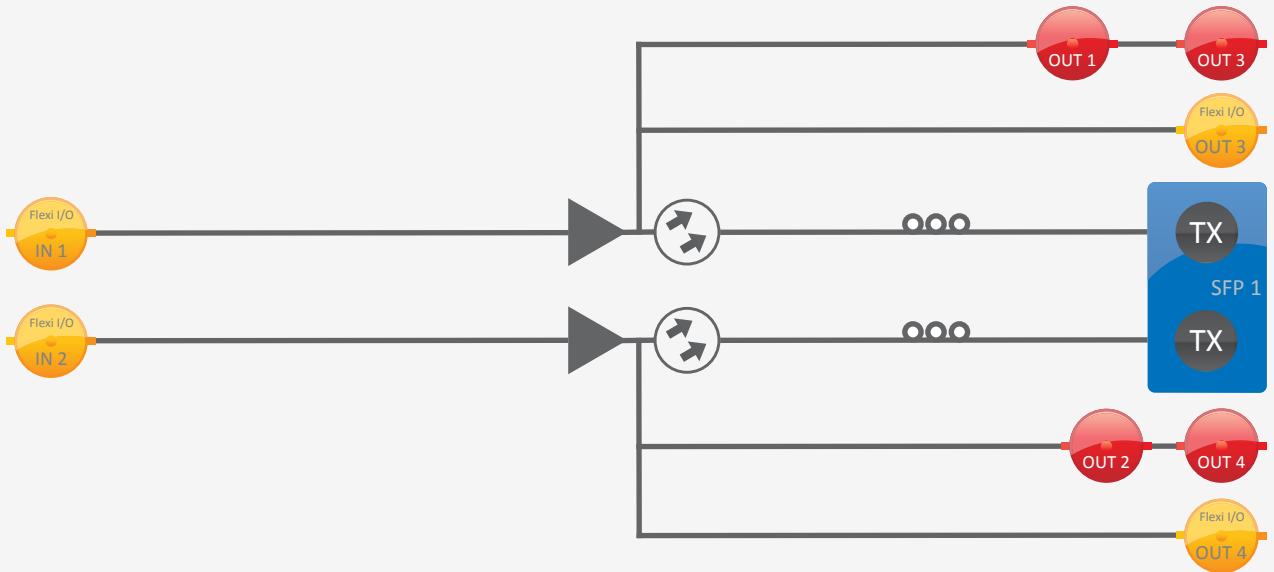


Transmit

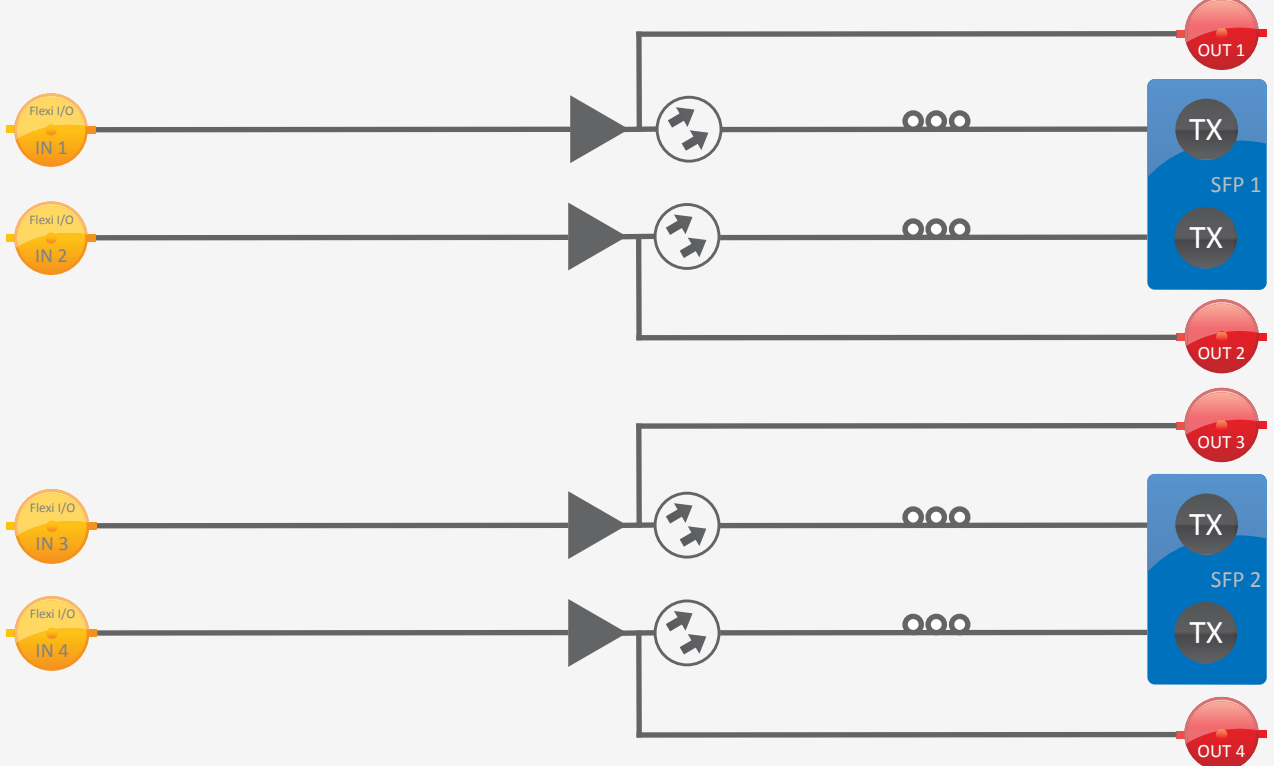
1 x Single TX SFP with 7 outputs



1 x Dual TX SFP

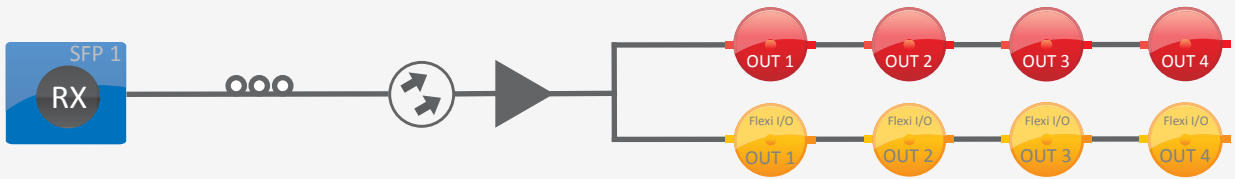


2 x Dual TX SFP

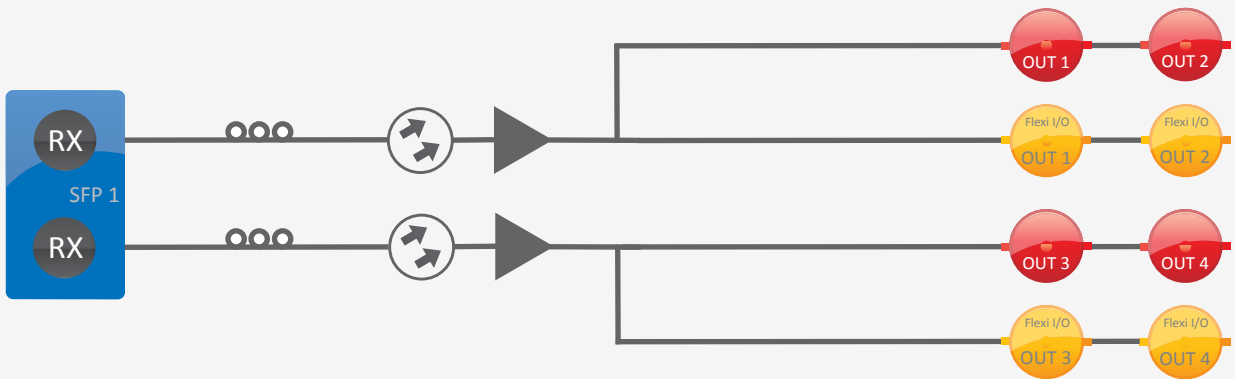


Receive

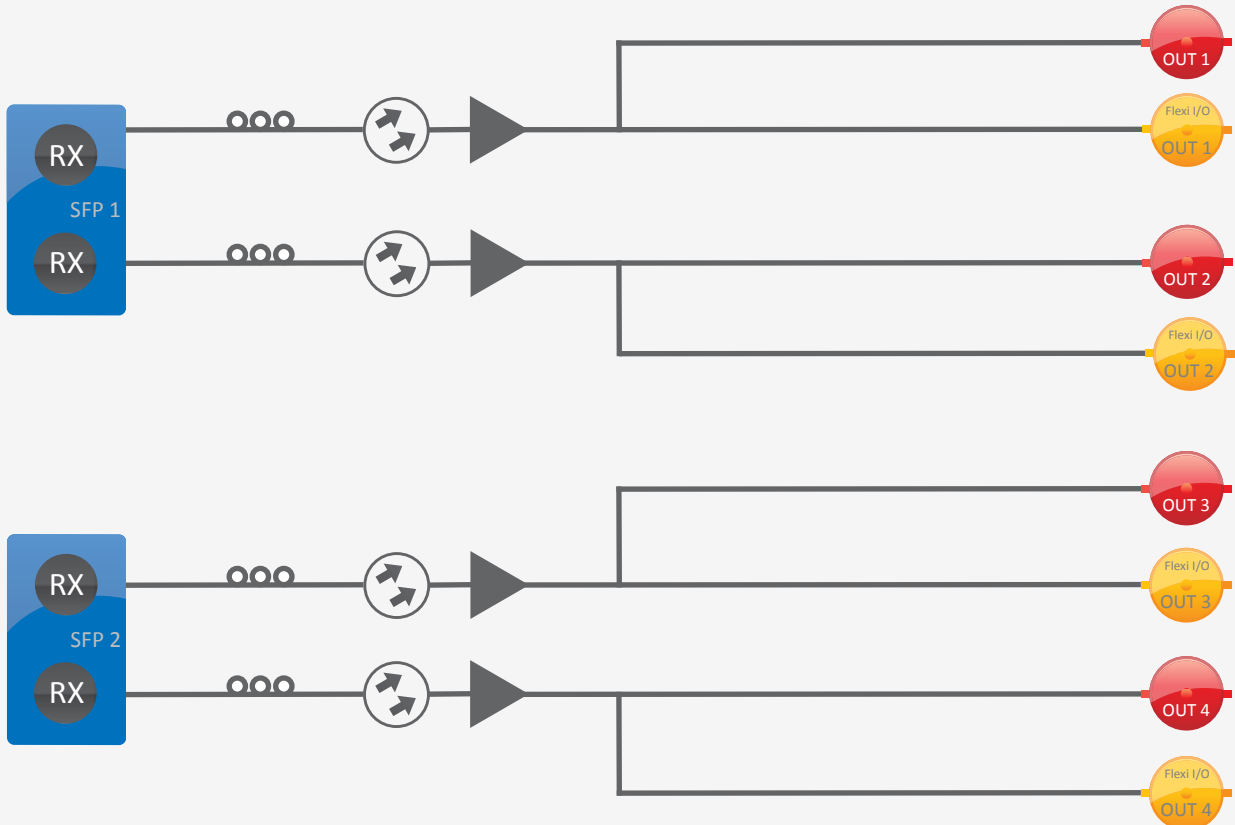
1 x Single RX SFP with 8 outputs



1 x Dual RX SFP with quad outputs

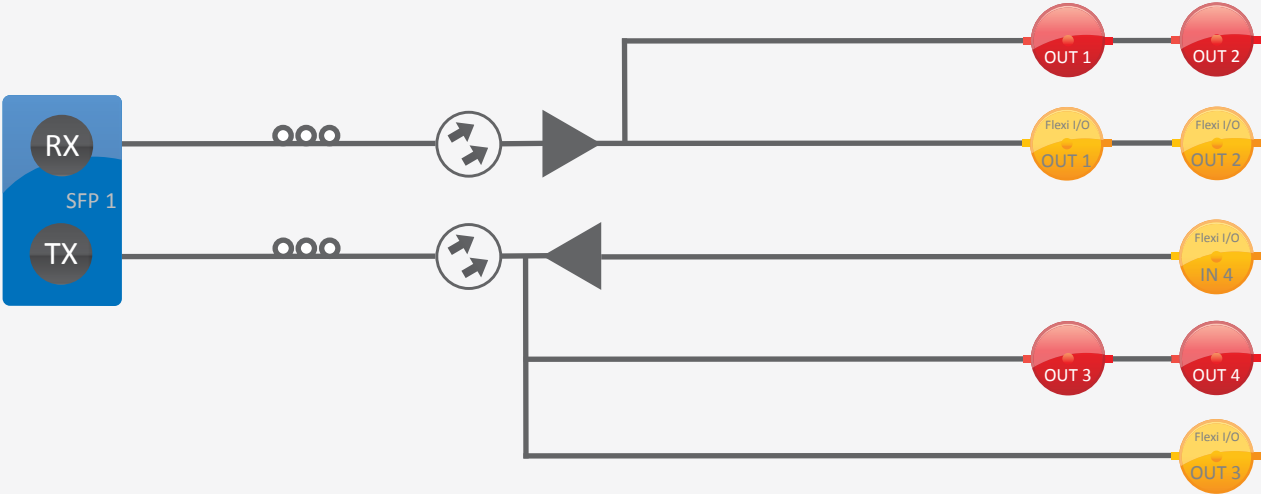


2 x Dual RX SFP with dual outputs

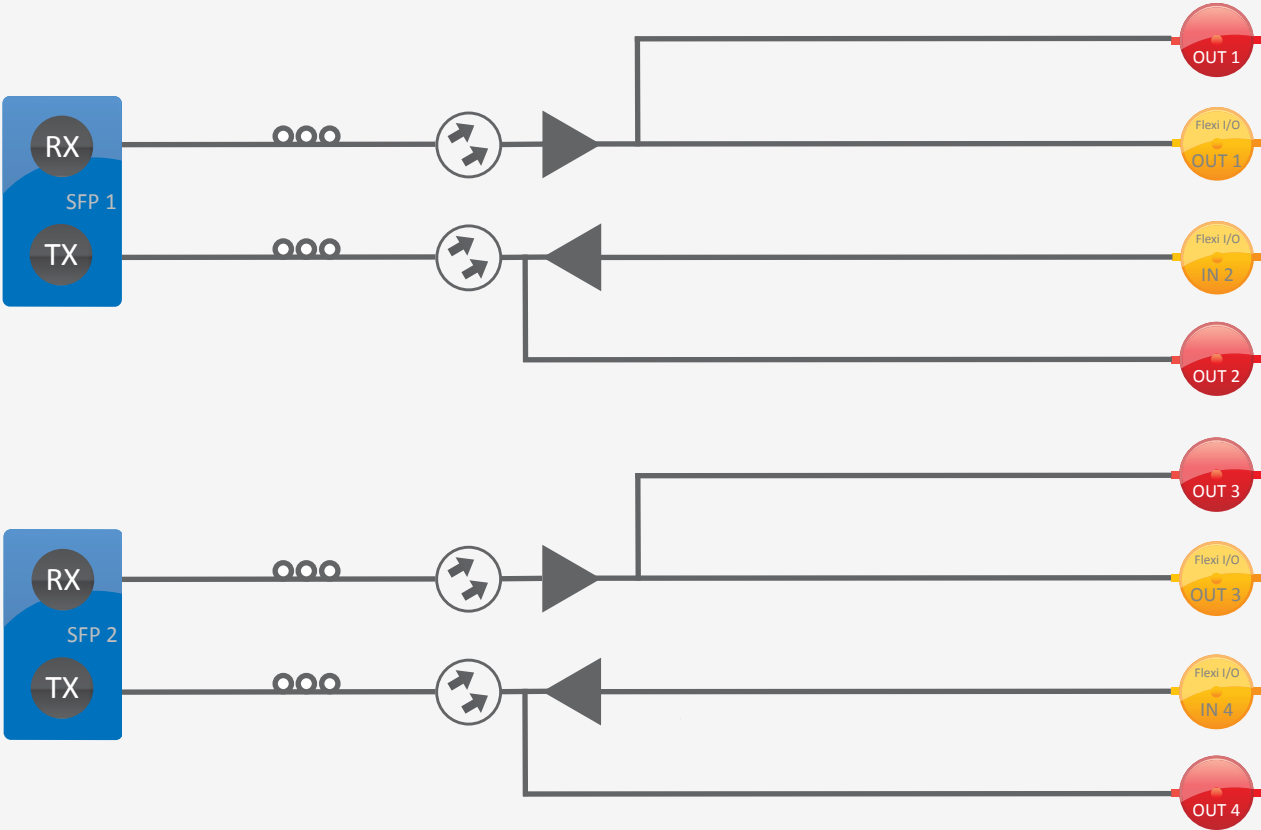


Transceiver

1 x Transceivers SFP

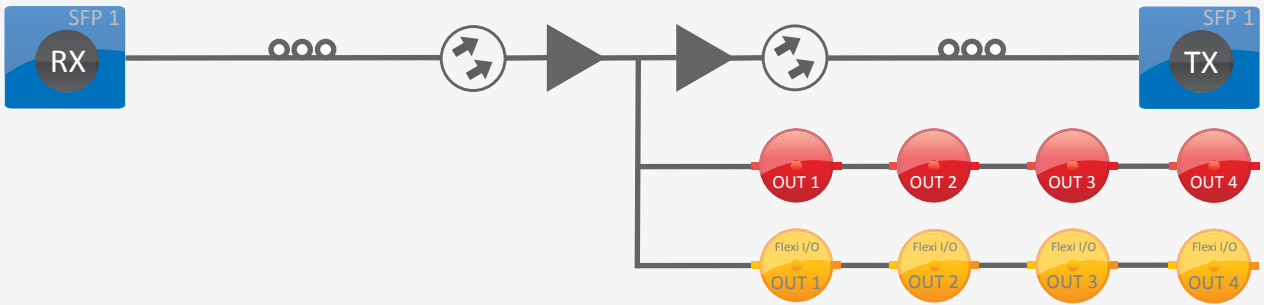


2 x Transceivers SFP

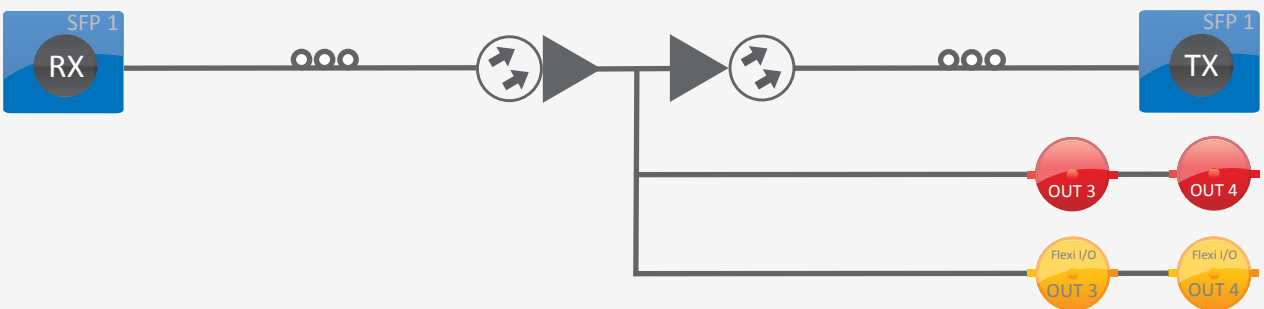
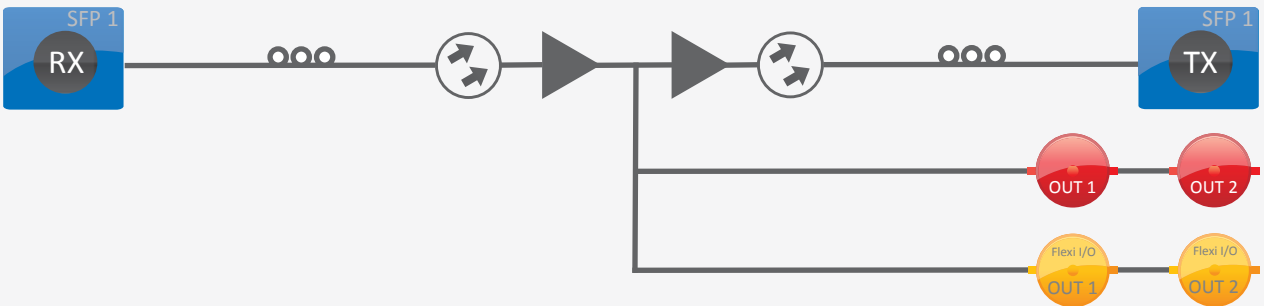


Transponder

1 x Transceiver SFP with Optical convertor and 8 x DA outputs

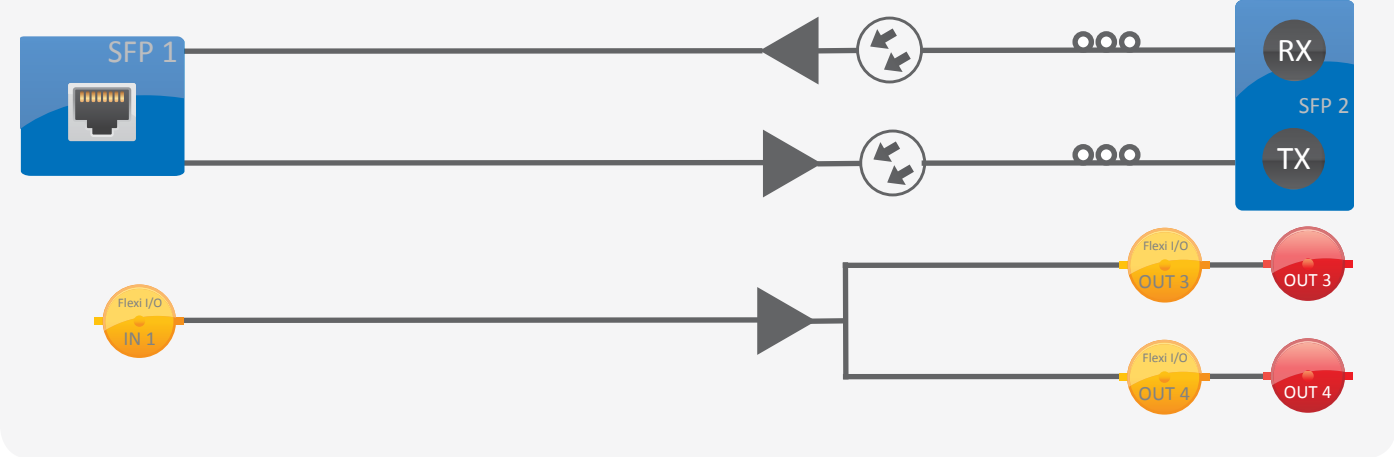


2 x Transceiver SFP with Optical convertor, each with 4 x DA output



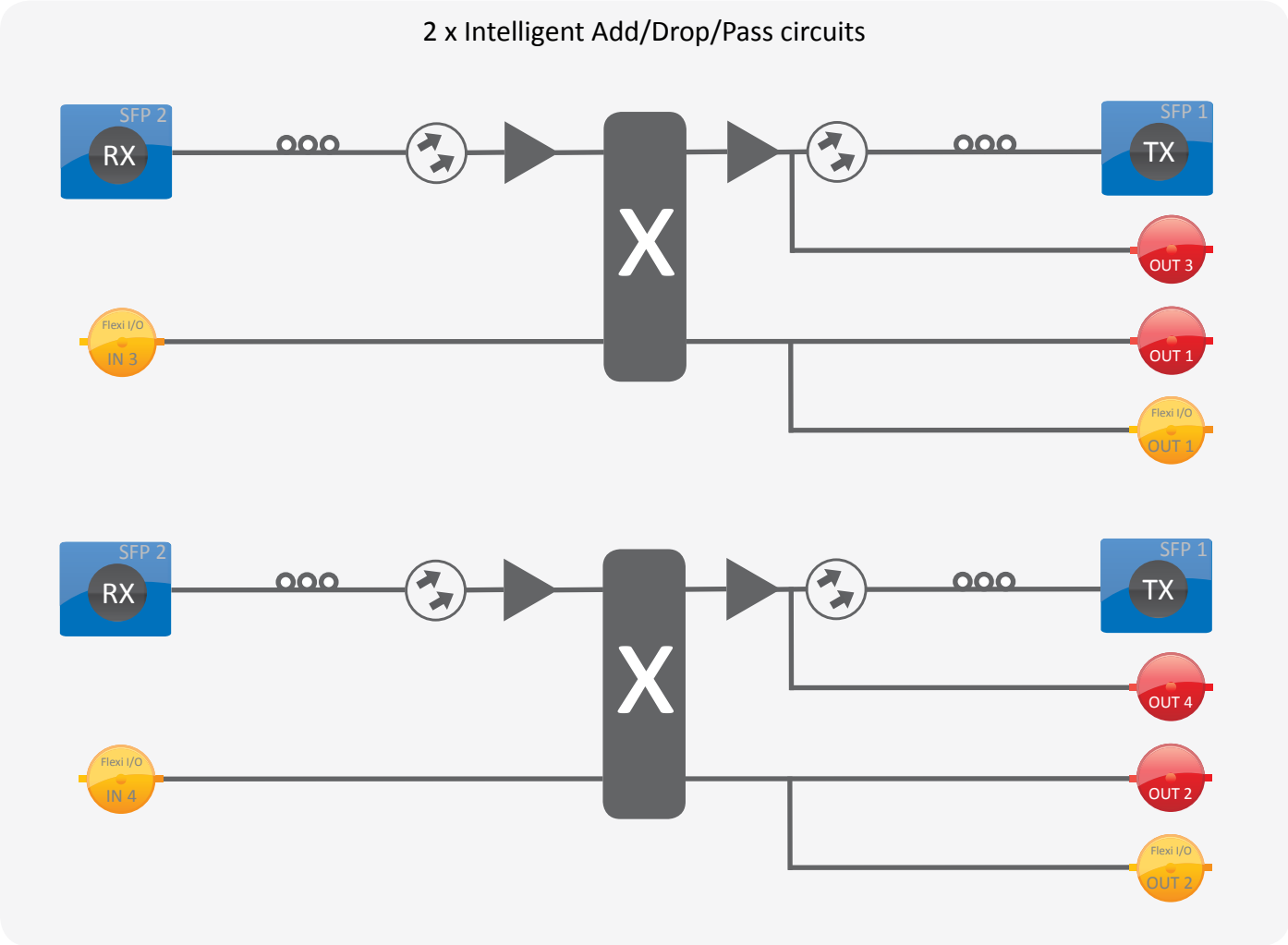
Ethernet

Gigabit Ethernet + 3G-SDI DA



Intelligent Add/Drop/Pass

2 x Intelligent Add/Drop/Pass circuits



Auto SFP configuration for peace of mind

One card for all your solutions

Flex I/O technology gives you flexibility and choices

Upgradable in seconds

Utah Scientific has decades of experience with optical fiber distribution systems, and our solution architects are available free of charge to show you how the innovative UTAH XFD Line can solve your fiber distribution challenges with next-generation technologies like AutoSFP®.

All Rights Reserved. All trademarks are properties of their respective owners. All prices and specifications are subject to change without notice.

Contact Us

Learn more at www.utahscientific.com



Email: info@utahscientific.com
Support: service@utahscientific.com
Sales: sales@utahscientific.com
Phone: 801.575.8801

Utah Scientific
4750 Wiley Post Way, Suite 200
Salt Lake City, Utah, 84116, USA
U.S. and Canada Toll Free: 800.453.8782